



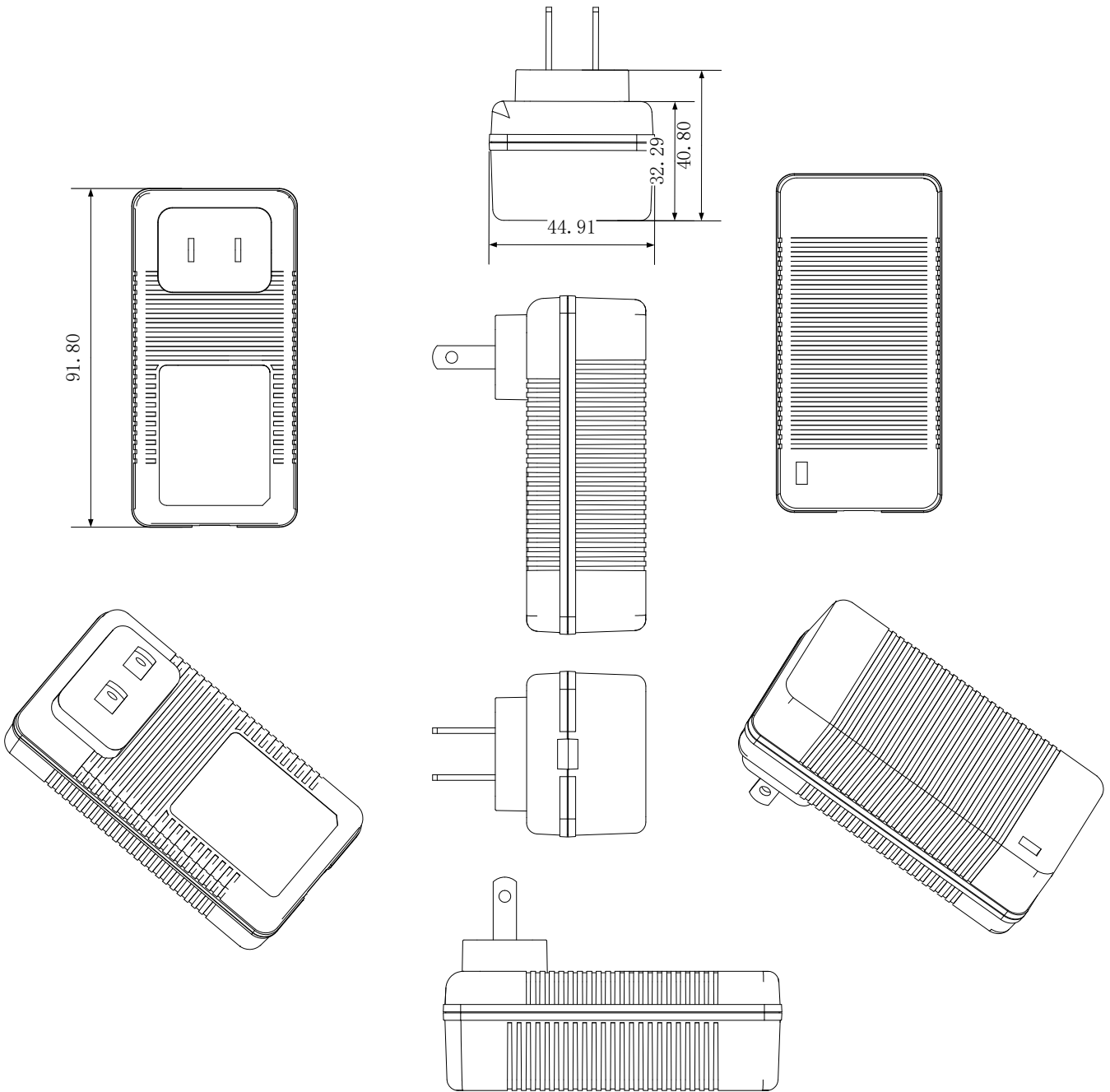
## Feature:

- \*Designed in USA, Made in China
- \*Global Certificates.
- \*Case Material: PC, GE brand
- \* Fanless Design.
- \* Fully sealed by ultrasonic welding.
- \*Capacitor imported from Taiwan.
- \*AC plug: US,EU,UK,AU,JP,KR,CN interchangeable plug optional.
- \*Protection: Over Load/Over Voltage/Over Current/Over Temp/Short-Circuit.
- \*LED indicator show work status
- \*Meet Energy Efficiency VI, Comply with CEC VI, DOE VI.
- \*Comply With The Newest Safety Standard: UL62368, EN62368,IEC62368,IEC60950,IEC61558,IEC60335.
- \*Brand Power Cord and DC Wire matched our products.
- \*Customized Label and DC connector.

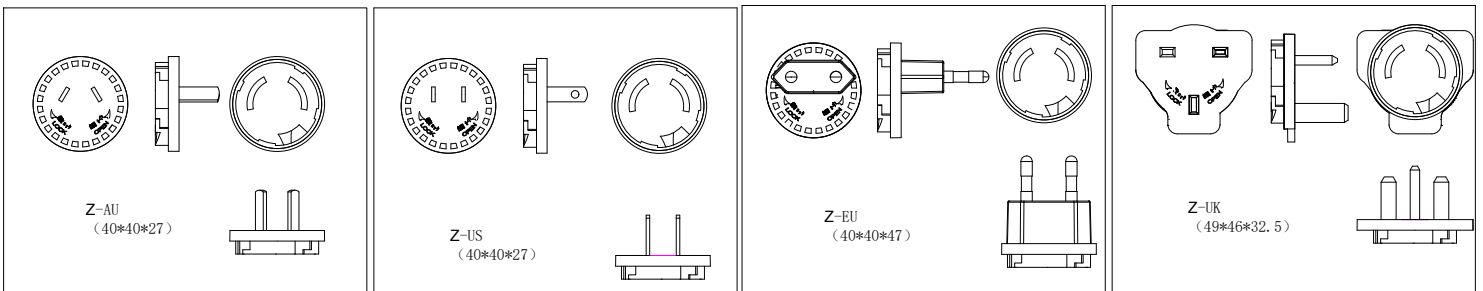
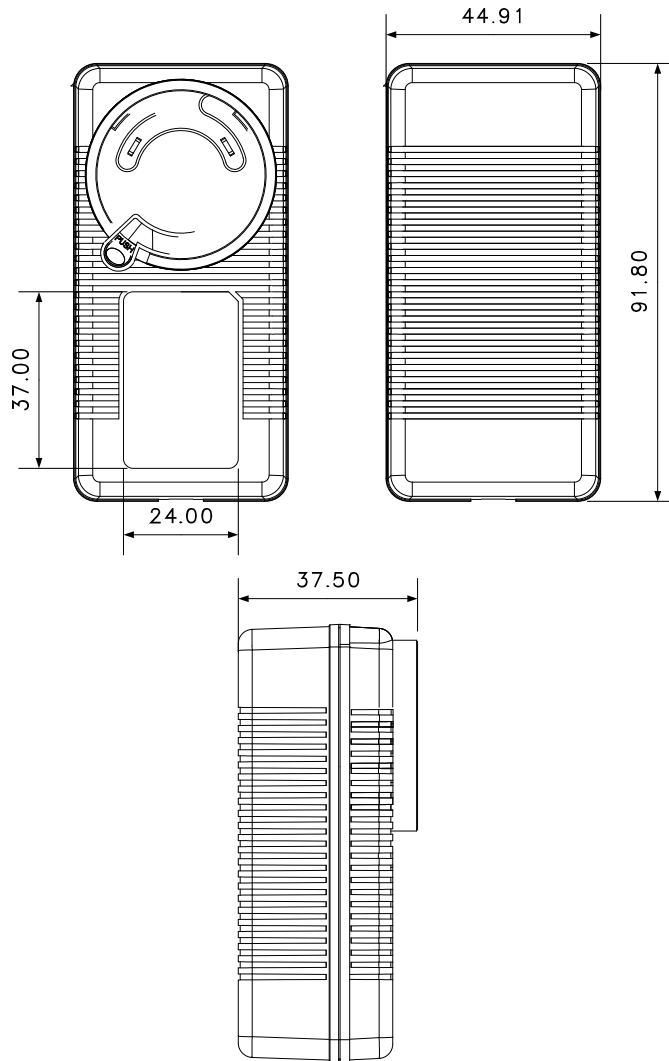
# Electric Parameter:

DC Output	Output Voltage	5V	6V	9V	10V	12V	15V	18V	19V	20V	24V	28V	30V	36V	38V	42V	48V	54V	58V	
	Voltage Tolerance	±5%	±5%	±5%	±5%	±5%	±5%	±5%	±4%	±4%	±4%	±4%	±4%	±4%	±4%	±4%	±3%	±3%	±3%	
	Rated Current	5A	5A	4A	3.5	3A	2.4A	2A	1.9A	1.8A	1.5A	1.3A	1.2A	1A	0.9A	0.8A	0.7A	0.6A	0.6A	
	Output Current	0-5A	0-5A	0-4A	0-3.5A	0-3A	0-2.4A	0-2A	0-1.9A	0-1.8A	0-1.5A	0-1.3A	0-1.2A	0-1A	0-0.9A	0-0.8A	0-0.7A	0-0.6A	0-0.6A	
	Ripple and Noise:	<100mVp-p										<120mVp-p					<150mVp-p			
	LED Indicator	Green light when work																		
AC Input	Input Voltage Range	90~264Vac																		
	Rated Input Voltage:	100-240Vac																		
	Frequency Range:	47~62hz																		
	Input Current Max:	1.3A																		
	Inrush Current:	35A Max/240V																		
	Efficiency Min	84%	87.55	87.5%	87.5%	87.4%	87.4%	87.4%	87.4%	87.4%	87.4%	87.4%	87.4%	87.4%	87.4%	87.4%	87.4%	87.4%	87.4%	87.4%
	No load Input Power	≤0.1W																		
	Leakage Current:	<0.25mA/240V																		
Protection	Over Load	When output power between 110%-135% of rated output power, turns to Hiccup mode.																		
	Over Voltage	When output voltage between 110%-135% of rated output voltage, turns to Hiccup mode.																		
	Over Current	Hiccup mode, recovers automatically after fault condition is removed																		
	Short Circuit	Hiccup mode, recovers automatically after fault condition is removed																		
Environment	Operating Temp:	0℃~+45℃																		
	Storage Temp:	-30℃~+70℃																		
	Relative Humidity:	10%~90%																		
	Vibration and Shock	Meet MIL-STD-810D																		
Safety	Safety Standard	IEC62368, IEC 60065, IEC 60950, IEC 61558, IEC 60335																		
	EMC/EMI	Meet FCC CLASS B, EN55022 CLASS B.																		
	EMS	EN61000—4—2/3/4/5																		
	Drop Testing	3 drops from 1 m height on a hard wooden surface																		
Life Time	MTBF	50000 Hours																		
	Warranty	3 years																		
Dimension	L91.8*W44.9*H37.5mm																			
Drawing	See next page																			
Packing	100pcs/CTN, CTN size:L46*W29.5*H33CM																			
Color	Black or White																			

# Drawing(mm):Fixed AC plug type



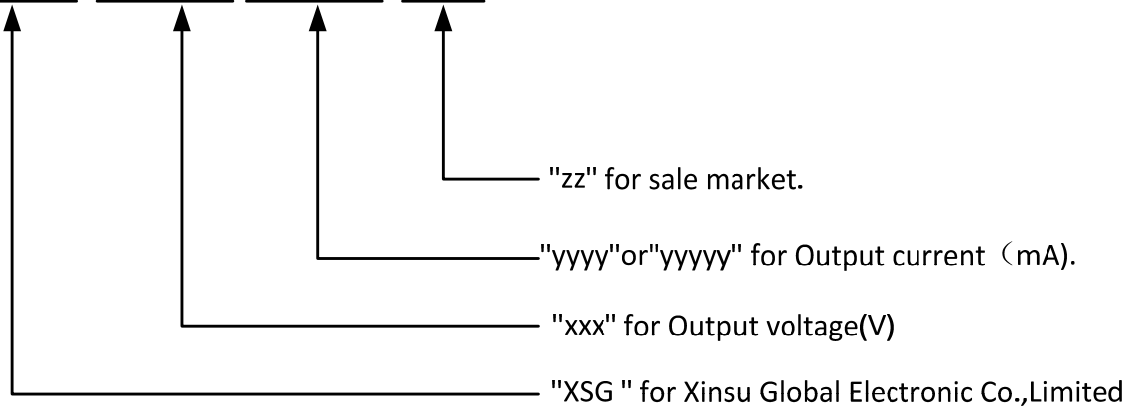
# Drawing(mm):Interchangeable plug type



## Model List:

### Model Name instruction:

E.G.: XSG xxx yyyy zz



Model No	AC Input	Power Rate	Output Voltage(V)	Output Current(mA)
XSG0505000	100 ~ 240	25.0	5	5000
XSG0505500	100 ~ 240	27.5	5	5500
XSG0506000	100 ~ 240	30.0	5	6000
XSG0604000	100 ~ 240	24.0	6	4000
XSG0604500	100 ~ 240	27.0	6	4500
XSG0605000	100 ~ 240	30.0	6	5000
XSG0654000	100 ~ 240	26.0	6.5	4000
XSG0654500	100 ~ 240	29.3	6.5	4500
XSG0655000	100 ~ 240	32.5	6.5	5000
XSG0723500	100 ~ 240	25.2	7.2	3500
XSG0724000	100 ~ 240	28.8	7.2	4000

XSG0724500	100 ~ 240	32.4	7.2	4500
XSG0733500	100-240	25.6	7.3	3500
XSG0734000	100-240	29.2	7.3	4000
XSG0734500	100-240	32.9	7.3	4500
XSG0753000	100 ~ 240	22.5	7.5	3000
XSG0753500	100 ~ 240	26.3	7.5	3500
XSG0754000	100 ~ 240	30.0	7.5	4000
XSG0843000	100 ~ 240	25.2	8.4	3000
XSG0843500	100 ~ 240	29.4	8.4	3500
XSG0844000	100 ~ 240	33.6	8.4	4000
XSG0903000	100 ~ 240	27.0	9	3000
XSG0903500	100 ~ 240	31.5	9	3500
XSG1002500	100 ~ 240	25.0	10	2500
XSG1003000	100 ~ 240	30.0	10	3000
XSG1102500	100 ~ 240	27.5	11	2500
XSG1103000	100 ~ 240	33.0	11	3000
XSG1202500	100 ~ 240	30.0	12	2500
XSG1203000	100 ~ 240	36.0	12	3000
XSG1262000	100 ~ 240	25.2	12.6	2000
XSG1262500	100 ~ 240	31.5	12.6	2500
XSG1263000	100 ~ 240	37.8	12.6	3000

XSG1302000	100 ~ 240	26.0	13	2000
XSG1302500	100 ~ 240	32.5	13	2500
XSG1352000	100 ~ 240	27.0	13.5	2000
XSG1352500	100 ~ 240	33.8	13.5	2500
XSG1402000	100 ~ 240	28.0	14	2000
XSG1402500	100 ~ 240	35.0	14	2500
XSG1462000	100 ~ 240	29.2	14.6	2000
XSG1462500	100 ~ 240	36.5	14.6	2500
XSG1501750	100 ~ 240	26.3	15	1750
XSG1502000	100 ~ 240	30.0	15	2000
XSG1502500	100 ~ 240	37.5	15	2500
XSG1602000	100 ~ 240	32.0	16	2000
XSG1621800	100 ~ 240	29.2	16.2	1800
XSG1622000	100 ~ 240	32.4	16.2	2000
XSG1681500	100 ~ 240	25.2	16.8	1500
XSG1681800	100 ~ 240	30.2	16.8	1800
XSG1682000	100 ~ 240	33.6	16.8	2000
XSG1701500	100 ~ 240	25.5	17	1500
XSG1702000	100 ~ 240	34.0	17	2000
XSG1801500	100 ~ 240	27.0	18	1500
XSG1801750	100 ~ 240	31.5	18	1750

XSG1802000	100 ~ 240	36.0	18	2000
XSG1831500	100 ~ 240	27.5	18.3	1500
XSG1831750	100 ~ 240	32.0	18.3	1750
XSG1832000	100 ~ 240	36.6	18.3	2000
XSG1901500	100 ~ 240	28.5	19	1500
XSG1901750	100 ~ 240	33.3	19	1750
XSG1951500	100 ~ 240	29.3	19.5	1500
XSG2001250	100 ~ 240	25.0	20	1250
XSG2001500	100 ~ 240	30.0	20	1500
XSG2001750	100 ~ 240	35.0	20	1750
XSG2101200	100 ~ 240	25.2	21	1200
XSG2101500	100 ~ 240	31.5	21	1500
XSG2101700	100 ~ 240	35.7	21	1700
XSG2201250	100 ~ 240	27.5	22	1250
XSG2201500	100 ~ 240	33.0	22	1500
XSG2251250	100 ~ 240	28.1	22.5	1250
XSG2251500	100 ~ 240	33.8	22.5	1500
XSG2401200	100 ~ 240	28.8	24	1200
XSG2401250	100 ~ 240	30.0	24	1250
XSG2401500	100 ~ 240	36.0	24	1500
XSG2521000	100 ~ 240	25.2	25.2	1000



XSG2521250	100 ~ 240	31.5	25.2	1250
XSG2521500	100 ~ 240	37.8	25.2	1500
XSG2551000	100 ~ 240	25.5	25.5	1000
XSG2551250	100 ~ 240	31.9	25.5	1250
XSG2701000	100 ~ 240	27.0	27	1000
XSG2800900	100 ~ 240	25.2	28	900
XSG2801000	100 ~ 240	28.0	28	1000
XSG2900900	100 ~ 240	26.1	29	900
XSG2901000	100 ~ 240	29.0	29	1000
XSG2920900	100 ~ 240	26.3	29.2	900
XSG2921000	100 ~ 240	29.2	29.2	1000
XSG2921250	100 ~ 240	36.5	29.2	1250
XSG2940900	100 ~ 240	26.5	29.4	900
XSG2941000	100 ~ 240	29.4	29.4	1000
XSG2941250	100 ~ 240	36.8	29.4	1250
XSG3000900	100 ~ 240	27.0	30	900
XSG3001000	100 ~ 240	30.0	30	1000
XSG3001250	100 ~ 240	37.5	30	1250
XSG3200800	100 ~ 240	25.6	32	800
XSG3200900	100 ~ 240	28.8	32	900
XSG3201000	100 ~ 240	32.0	32	1000

XSG3300800	100 ~ 240	26.4	33	800
XSG3300900	100 ~ 240	29.7	33	900
XSG3301000	100 ~ 240	33.0	33	1000
XSG3360800	100 ~ 240	26.9	33.6	800
XSG3360900	100 ~ 240	30.2	33.6	900
XSG3361000	100 ~ 240	33.6	33.6	1000
XSG3400800	100 ~ 240	27.2	34	800
XSG3400900	100 ~ 240	30.6	34	900
XSG3401000	100 ~ 240	34.0	34	1000
XSG3500800	100 ~ 240	28.0	35	800
XSG3500900	100 ~ 240	31.5	35	900
XSG3501000	100 ~ 240	35.0	35	1000
XSG3600700	100 ~ 240	25.2	36	700
XSG3600800	100 ~ 240	28.8	36	800
XSG3600900	100 ~ 240	32.4	36	900
XSG3601000	100 ~ 240	36.0	36	1000
XSG3650700	100 ~ 240	25.6	36.5	700
XSG3650800	100 ~ 240	29.2	36.5	800
XSG3650900	100 ~ 240	32.9	36.5	900
XSG3651000	100 ~ 240	36.5	36.5	1000
XSG3780700	100 ~ 240	26.5	37.8	700

XSG3780800	100 ~ 240	30.2	37.8	800
XSG3780900	100 ~ 240	34.0	37.8	900
XSG3800700	100 ~ 240	26.6	38	700
XSG3800800	100 ~ 240	30.4	38	800
XSG3800900	100 ~ 240	34.2	38	900
XSG4020700	100 ~ 240	28.1	40.2	700
XSG4020800	100 ~ 240	32.2	40.2	800
XSG4020900	100 ~ 240	36.2	40.2	900
XSG4200600	100 ~ 240	25.2	42	600
XSG4200700	100 ~ 240	29.4	42	700
XSG4200800	100 ~ 240	33.6	42	800
XSG4250600	100 ~ 240	25.5	42.5	600
XSG4250700	100 ~ 240	29.8	42.5	700
XSG4250800	100 ~ 240	34.0	42.5	800
XSG4300600	100 ~ 240	25.8	43	600
XSG4300700	100 ~ 240	30.1	43	700
XSG4300800	100 ~ 240	34.4	43	800
XSG4320600	100 ~ 240	25.9	43.2	600
XSG4320700	100 ~ 240	30.2	43.2	700
XSG4320800	100 ~ 240	34.6	43.2	800
XSG4380600	100 ~ 240	26.3	43.8	600

XSG4380700	100 ~ 240	30.7	43.8	700
XSG4380800	100 ~ 240	35.0	43.8	800
XSG4400600	100 ~ 240	26.4	44	600
XSG4400700	100 ~ 240	30.8	44	700
XSG4400800	100 ~ 240	35.2	44	800
XSG4500600	100 ~ 240	27.0	45	600
XSG4500700	100 ~ 240	31.5	45	700
XSG4500800	100 ~ 240	36.0	45	800
XSG4600600	100 ~ 240	27.6	46	600
XSG4600700	100 ~ 240	32.2	46	700
XSG4600800	100 ~ 240	36.8	46	800
XSG4620600	100 ~ 240	27.7	46.2	600
XSG4620700	100 ~ 240	32.3	46.2	700
XSG4620800	100 ~ 240	37.0	46.2	800
XSG4750600	100 ~ 240	28.5	47.5	600
XSG4750700	100 ~ 240	33.3	47.5	700
XSG4800600	100 ~ 240	28.8	48	600
XSG4800700	100 ~ 240	33.6	48	700
XSG4800750	100 ~ 240	36.0	48	750
XSG5040500	100 ~ 240	25.2	50.4	500
XSG5040600	100 ~ 240	30.2	50.4	600

XSG5040700	100 ~ 240	35.3	50.4	700
XSG5100500	100 ~ 240	25.5	51	500
XSG5100600	100 ~ 240	30.6	51	600
XSG5100700	100 ~ 240	35.7	51	700
XSG5110500	100 ~ 240	25.6	51.1	500
XSG5110600	100 ~ 240	30.7	51.1	600
XSG5110700	100 ~ 240	35.8	51.1	700
XSG5460500	100 ~ 240	27.3	54.6	500
XSG5460600	100 ~ 240	32.8	54.6	600
XSG5480500	100 ~ 240	27.4	54.8	500
XSG5480600	100 ~ 240	32.9	54.8	600
XSG5500500	100 ~ 240	27.5	55	500
XSG5500600	100 ~ 240	33.0	55	600
XSG5600500	100 ~ 240	28.0	56	500
XSG5600600	100 ~ 240	33.6	56	600
XSG5800500	100 ~ 240	29.0	58	500
XSG5800600	100 ~ 240	34.8	58	600